

Flood Luminaire

ULTRA-TECH™ Induction Lighting

PSUTF-100ZY1



Features

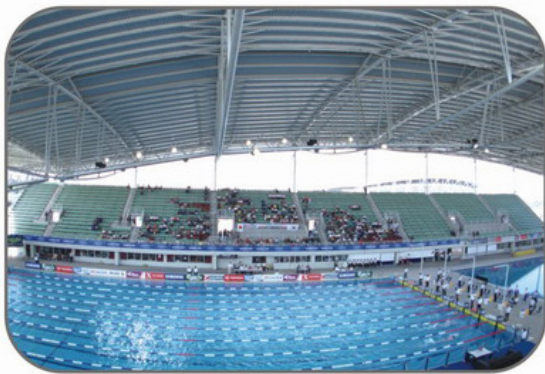
- Die cast aluminum housing with powder coated finish for corrosion-resistance.
- Anodized aluminum reflector and clear tempered glass lens are designed to optimize light distribution.
- Gas-tight silicon rubber seal made for wet locations.

Lamp and Ballast

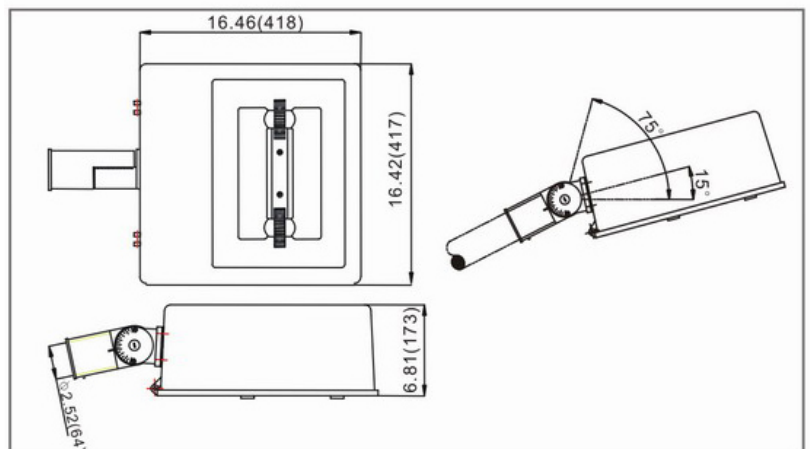
- Rectangle type induction lamp features high lighting efficacy, 100,000 hours long lifetime with 5-year warranty, good color rendering, and stable output.
- Ultra-Tech's electronic ballast features high power factor (>0.95), flicker free, low loss and constant output.

Applications

- Billboards, buildings, parks, pools, plazas.



Dimensions Unit:in(mm)



Fixture Specifications

Fixture Model No.	Lamp	Wattage (W)	Rated Initial Luminance (Lm)	Voltage (V)	Color Temp (K)*	Ambient (°C/°F)	Installation	IP Class	Note	UL CUL
PSUTF-100ZY1	ST80W	80	5600-6000	120-277	6500	-20 - 40+/ -4 - 104+	Round pole	IP65		yes
	ST100W	100	7500-8000							

*Note: Color Temperature 2720-6500 available upon request.



purepectrum™