

Road Way Luminaire

ULTRA-TECH[™] Induction Lighting

PSUTS-150G



Features

- Die cast aluminum casing with powder coated finish for corrosion-resistance.
- Reflector made of high quality aluminum plate. Clear tempered glass lens with transmittance up to 90%.
- Timer dimming function available upon request.

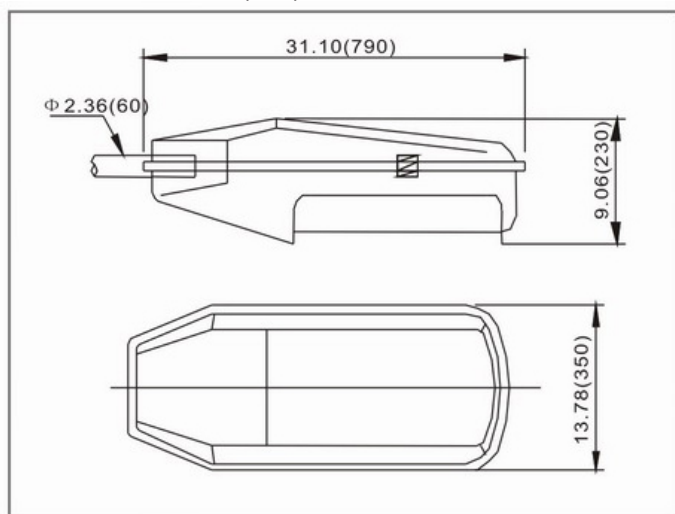
Lamp and Ballast

- Ultra-Tech's 100W-150W rectangular tubular induction lamp features high lighting efficacy, 100,000 hours long lifetime with 5-year warranty, good color rendering, and stable output.
- Ultra-Tech's electronic ballast features high power factor (>0.95), flicker free, low loss and constant output.

Applications

- Freeway, highway, parking lots, public entrances, off-street areas.

Dimensions Unit:in(mm)



Fixture Specifications

Fixture Model No.	Lamp	Wattage (W)	Rated Initial Luminance (Lm)	Voltage (V)	Color Temp (K)*	Ambient (°C/°F)	Installation	IP Class	Note	UL CUL
PSUTS-150G	ST100W	100	7500-8000	120-277	6500	-20 - 40+/ -4 - 104+	Round pole φ60	IP54		yes
	ST120W	120	9000-9600							
	ST150W	150	11250-12000							

*Note: Color Temperature 2720-6500 available upon request.



purepectrum™



www.PureSpectrum.com