

Road Way Luminaire

ULTRA-TECH™ Induction Lighting

PSUTS-70ZD1, PSUTS-100ZD1



Features

- High pressure die cast aluminum alloy housing for corrosion-resistance.
- Flat tempered glass lens.
- High purity aluminum reflector with vacuum coated inner surface.
- Optional photocell.

Lamp and Ballast

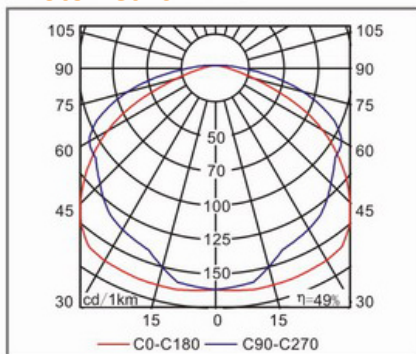
- Ultra-Tech's 40W-100W round tubular induction lamp features high lighting efficacy, 100,000 hours long lifetime with 5-year warranty, good color rendering, and stable output.
- Ultra-Tech's electronic ballast features high power factor (>0.95), flicker free, low loss and constant output.

Applications

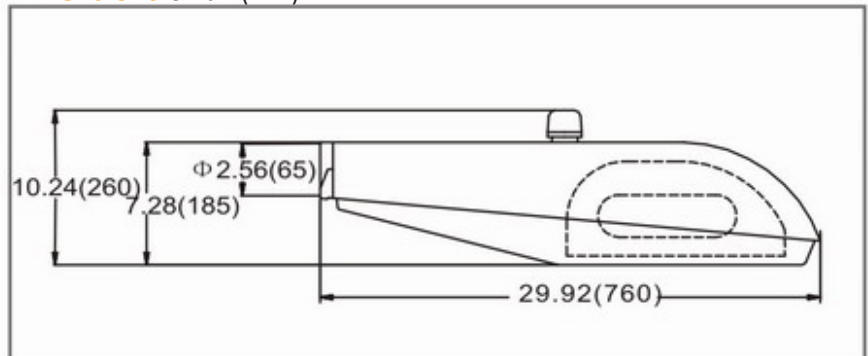
- Freeway, highway, parking lots, public entrances, off-street areas.



Photometric



Dimensions Unit:in(mm)



Fixture Specifications

Fixture Model No.	Lamp	Wattage (W)	Rated Initial Luminance (Lm)	Voltage (V)	Color Temp (K)*	Ambient (°C/°F)	Installation	IP Class	Note	UL CUL
PSUTS-70ZD1	RT40W	40	2600-2800	120-277	6500	-20 - 40+/ -4 - 104+	Round pole	IP55	Optional Photocell	yes
	RT70W	70	4900-5250							
PSUTS-100ZD1	RT80W	80	5600-6000	120-277	6500	-20 - 40+/ -4 - 104+	Round pole	IP55	Optional photocell	yes
	RT100W	100	7500-8000							

*Note: Color Temperature 2720-6500 available upon request.



purepectrum™



www.PureSpectrum.com